



BT8442

UNIVERSAL FLAT SCREEN WALL MOUNT

Designed for large sized screens, the BT8442 supports weights up to 176lbs and features a low-profile design that mounts screens just 1.2" from the wall. The universal interface accommodates mounting patterns up to VESA 600 x 400 and comes with adjustment screws which allow the screen to be leveled once mounted.

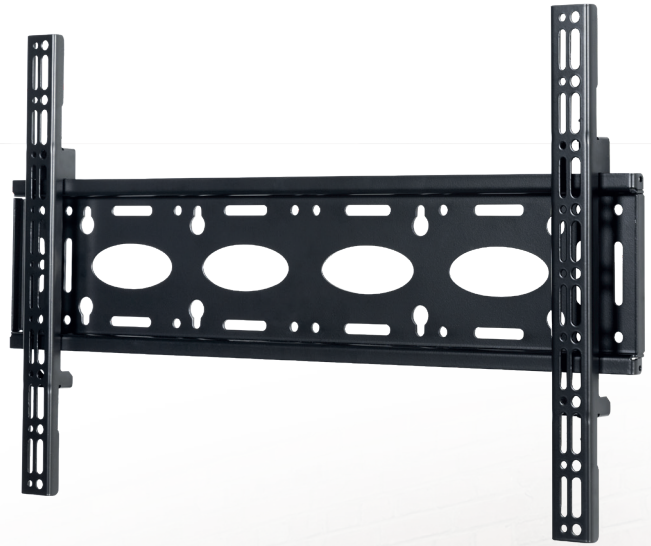
SPECIFICATION

Recommended screen size	Up to 80"
Max load	176lbs
VESA & non-VESA fixings	up to 600 x 400
Distance from wall	1.2"
Color	Black

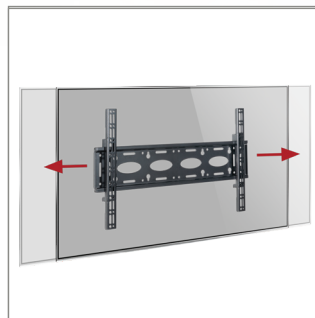
**Please note the maximum load is reduced to 110lbs when single pole mounted*

FEATURES

- Low profile design for a close to the wall installation
- Lateral shift of screen once mounted
- Keyhole mounting for easy installation
- Leveling screws allow adjustment of screen height
- Compatible with B-Tech's collar and pole system for pole mounting screens
- Includes locking bar, security locking screws and hex key to prevent unauthorised removal of the screen
- Simple 'hook-on' installation
- All mounting hardware included



Low profile design mounts screen only 1.2" from the wall



Lateral shift of screen once mounted



Leveling screws allow adjustment of screen height



Security locking screws help prevent unauthorised removal of screens

