



B-TECH AV MOUNTS

LOW PROFILE
DESIGN

BT8441

UNIVERSAL FLAT SCREEN WALL MOUNT

Designed for medium and large sized screens, the BT8441 supports weights up to 176lbs and features a low-profile design that mounts screens just 1.18" from the wall. The universal interface accommodates mounting patterns up to VESA 400 and comes with adjustment screws which allow the screen to be levelled once mounted.

SPECIFICATION

Recommended screen size	up to 55"
Max load	176lbs
VESA Fixings	400 x 400
Distance from wall	1.18"

**Please note the maximum load is reduced to 110lbs when single pole mounted*

FEATURES

- Lateral shift of screen once mounted
- Levelling screws allow adjustment of screen height
- Keyhole mounting for easy installation
- Security locking screws and Allen key to prevent unauthorised screen removal
- Collar compatible ideal for pole mounting
- Simple 'hook-on' installation with all mounting hardware included



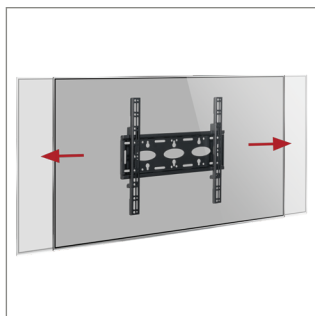
55"
140cm

VESA
400

176
LBS



Low profile design mounts screen only 1.18" from the wall



Lateral shift of screen once mounted



Levelling screws allow adjustment of screen height



Security locking screws help prevent unauthorized removal of screens

