



POP-IN
 POP-OUT
 MOUNT

BT8310

POP-OUT VIDEOWALL MOUNT

Designed to make videowall installations as quick and simple as possible, this modular videowall mount can be used to create unlimited videowall configurations in both landscape and portrait format. The BT8310 features a pop-in, pop-out system which enables quick and easy access to the rear of mounted screens for servicing and maintenance and 8 point micro-adjustment, making accurate screen alignment quick and easy.

SPECIFICATION

For screen sizes	42" - 75"
Max load	154lbs
VESA compatibility as standard	200 x 100 up to 600 x 400
Depth flat	up to 600 x 400*
Depth popped out	3.97" (+/- 0.27" with micro-adjustment)
Screen height adjustment	11.53" (+/- 0.27" with micro-adjustment)

FEATURES

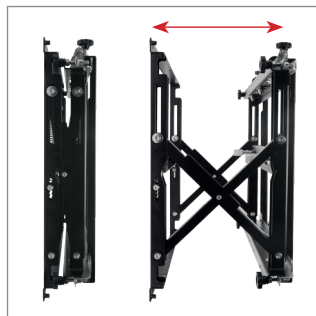
- Modular mount for unlimited wall display configurations
- Suitable for landscape or portrait screen mounting
- Push to open / push to close system provides quick and easy service access
- Tool-less micro-adjustments at 8 points for seamless display alignment
- Suitable for both wall or pole mounting
- Screen specific wall plate spacers (available separately) dramatically shorten install times by eliminating guesswork and on-site calculations
- Perfect solution for mounting screens into a recessed wall
- Locking kit (BT8310-LK) to prevent accidental pop-out of mount is also available (separately)
- Includes Interface Adapter Arms as standard (pictured below) for use with screens with VESA 600 x 400 fixings



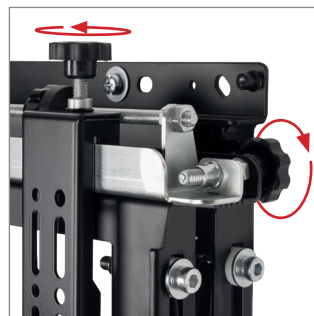
*Please note using the included Interface Adaptor Arms to mount VESA 600 x 400 screens will increase the total depth of the product by 0.23", for a total depth of 4.21", or 11.77" whilst popped out (+/- 0.27" micro-adjustment).



Modular mount allows videowall assembly in an unlimited number of configurations



Push to open / push to close system provides quick and easy service access



Tool-less micro-adjustment at 8 points for seamless display alignment

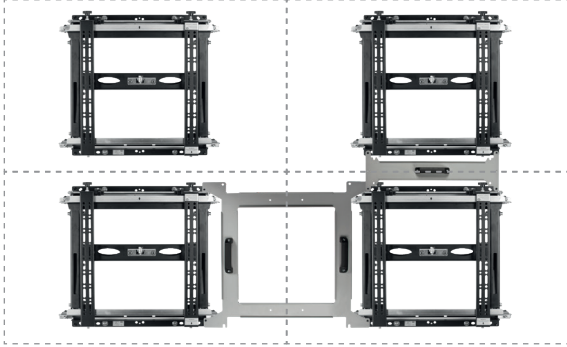


Optional Interface Adapters for VESA 600 x 400 fixings included as standard

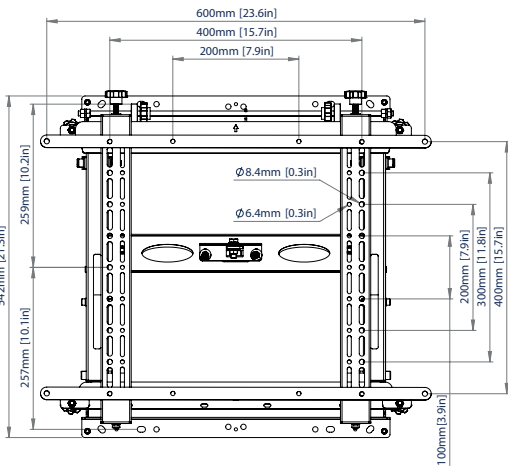
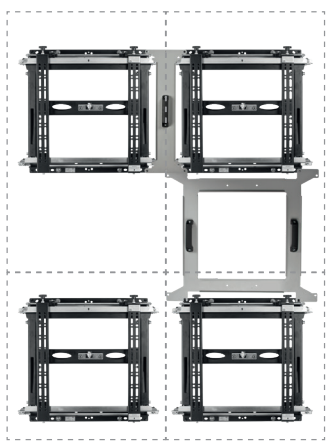
Custom Wall Plate Spacers

Wall plate spacers are available for the BT8310 and eliminate tedious alignment calculations, meaning less time is wasted through measuring and guesswork. These spacers are available to order separately and are screen specific for all popular brands such as LG, Samsung, Phillips, Sharp and NEC. To find out which spacer kit is needed for a specific screen please visit www.btechavmounts.com/BT8310 or scan the QR code below.

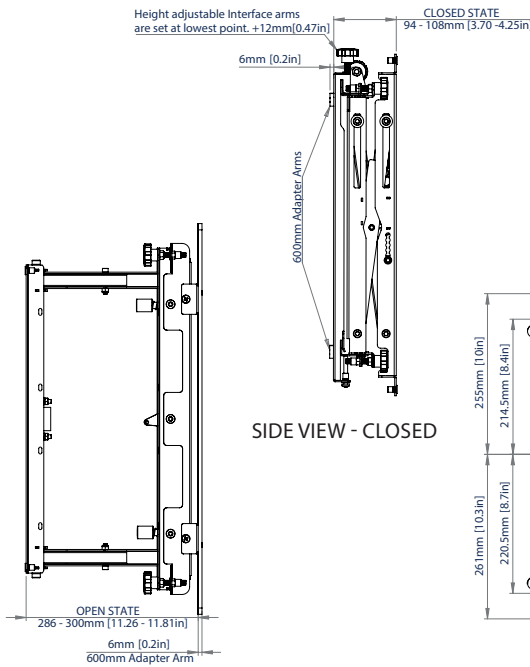
Mounting with Spacers - Landscape



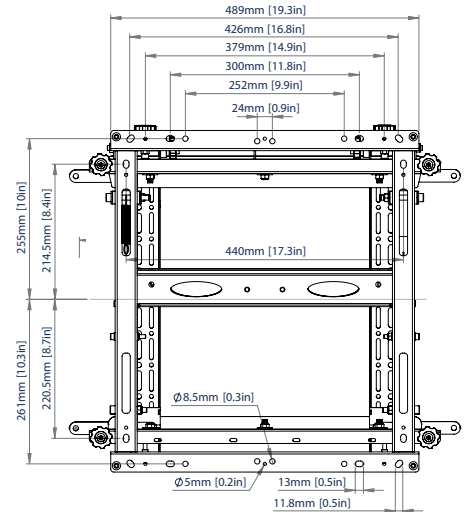
Mounting with Spacers - Portrait



FRONT VIEW - WITH ADAPTER ARMS



SIDE VIEW



BACK VIEW

PACKING INFORMATION

COLOR:	ORDER REF:	UPC CODE:	MASTER CARTON QTY:	INNER CARTON QTY:	MASTER CARTON WEIGHT:	MASTER CARTON CUBE
Black	BT8310/B	811867032161	1	0	33lbs	1.90cuft

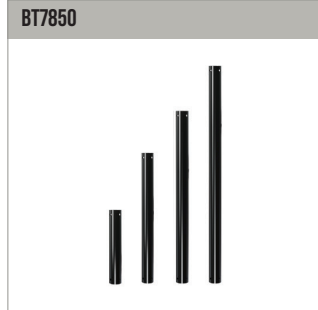
RELATED PRODUCTS



Locking Kit For BT8310 & BT8310XL
for disabling the pop-in / pop-out feature



Heavy Duty Twin Pole Ceiling / Floor Mount for Ø2" poles



Ø2" Pole available in 9.84", 19.68", 39.37", 78.74" and 118.11"



Interface Adapter Arms enable VESA fixings to be increased

Total depth increased to **4.21" (+/- 0.27" micro-adjustment) when using VESA 600 x 400 adapters*
***Total depth increased to **11.77"** (+/- 0.27" micro-adjustment) when using VESA 600 x 400 adapters*

© 2021 B-Tech International Design & Manufacturing Ltd. All rights reserved. B-Tech International Design & Manufacturing Ltd. is a registered trademark of B-Tech International Design & Manufacturing Ltd. B-Tech International Design & Manufacturing Ltd. is not responsible for any damage caused by improper installation or use of the product. Any reproduction or modification of any part of this specification sheet is strictly prohibited. All rights reserved. B-Tech International Design & Manufacturing Ltd. B2E
 S5-V1-BT8310-25102022-EN-US